

DKM-TX15

Rackmount LCD Monitor Keyboard Pull-out Drawer



All-in-one LCD monitor, keyboard and touchpad pointing device.

Pull-out rack mount drawer design uses only 1U rack space.

15" XGA resolution @ 1024 x 768 pixels.

Built-in speakers and audio input jack. Modular detachable power supply.

Front bezel control buttons for display adjustment.

16.4" to 30" extension mounting brackets.

The DKM-TX15 integrated LCD-Key-board-Mouse is a rack-mountable 3-in-one peripheral unit that occupies only 1 rack unit space. Using a flip-up LCD flat panel monitor design, the DKM-TX15 offers a low-profile space-saving alternative to utilizing three frequently used peripheral devices of a typical data center or server management environment—monitor, keyboard and pointing device.

The entire unit is constructed of metal for ruggedness. At just over 17" in depth, you can fit the unit in short-depth cabinets. With mounting brackets that can be extended from 16.4" up to 30", it will also accommodate the deepest equipment racks. The unit is mounted on ball-bearing slide rails so you can easily pull it out of your equipment rack. The LCD monitor flips up for use and folds down for storage.

The unit's power supply is an externally attached AC/DC adapter on the back of the enclosure. The adapter can be easily detached in the event that it needs to be replaced.

The DKM-TX15 has a 15" XGA resolution screen. The LCD's lower power consumption and EMI free technology makes it ideal for industrial applications. Front-panel-mounted control buttons lets you access the on-screen display (OSD) menu to adjust the display for optimum viewing.



DKM-TX15 Rackmount LCD Monitor Keyboard Pull-out Drawer

LCD Specifications

LCD TYPE	Active matrix TFT LCD. 15-inch screen (measured diagonally).
RESOLUTION	1024 x 768 pixels (XGA resolution).
COLORS	16-bit color depth (256K colors).
COLOR GAMUT (%NTSC)	n/a
PIXEL PITCH (mm)	0.297 x 0.297
ACTIVE AREA (mm/in)	304.128 x 228.096 (11.97 x 8.98)
CONTRAST RATIO	200:1
BRIGHTNESS (cd/m ²)	330
RESPONSE TIME	15ms (Ton), 40ms (Toff)
VIEW ANGLES (u/d/l/r)	45 / 50 / 65 / 65
INTERFACE	LVDS
BACKLIGHT TYPE	Edge light backlighting, 4 CCFL (cold cathode fluorescent lamp) tubes.
INPUT SIGNAL	Analog RGB, VGA ~ XGA
VERTICAL SYNC	60 ~ 75Hz
HORIZONTAL SYNC	64~79.97KHz
AC INPUT	85 to 264 VAC autosensing power supply.
OSD CONTROLS	Front panel OSD menu controls for contrast, brightness, position.

Electrical, Mechanical Specifications

CONSTRUCTION	1U rack unit. Mounting brackets extension from 16.36" to 30.18" via rear extension bracket.
INPUT DEVICE	Rackmount slide-out keyboard drawer.
KEYBOARD	Full size, 105-key, 12 function keys, 17-key numeric keypad.
KEYSWITCH	Short travel membrane keys.
POINTING DEVICE	Two-button touchpad input device.
EXTERNAL CONNECTORS	D-Sub 15-pin VGA socket, 3.5mm stereo jack, mini-DIN 6-pin keyboard and mouse sockets.
POWER CONSUMPTION	
DIMENSIONS	19" (W) x 1.75" (H) x 19.125" (D)
WEIGHT	23 lbs.
OPERATING TEMP	32 ~122 degrees F operating temperature.
STORAGE TEMP	-40 ~158 degrees F storage temperature.
RELATIVE HUMIDITY	10% ~ 90% non-condensing.

Environmental Specifications

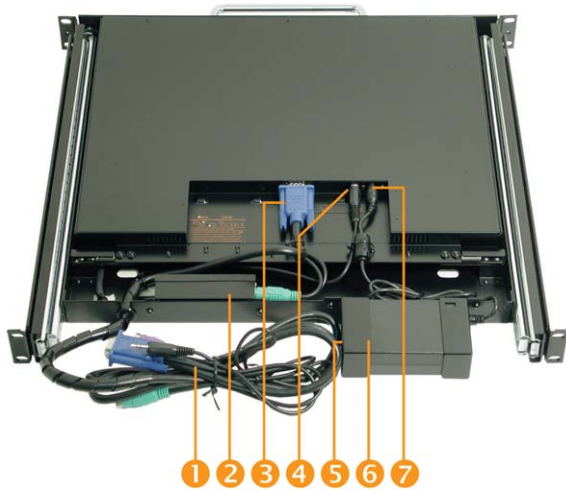
OPERATING TEMP	32 ~122 degrees F operating temperature.
STORAGE TEMP	-40 ~158 degrees F storage temperature.
RELATIVE HUMIDITY	10% ~ 90% non-condensing.

© 2004 Contemporary Microsystems. All rights reserved. Product information and specifications are subject to change without notice. More information can be found online at www.ipctechnology.com.

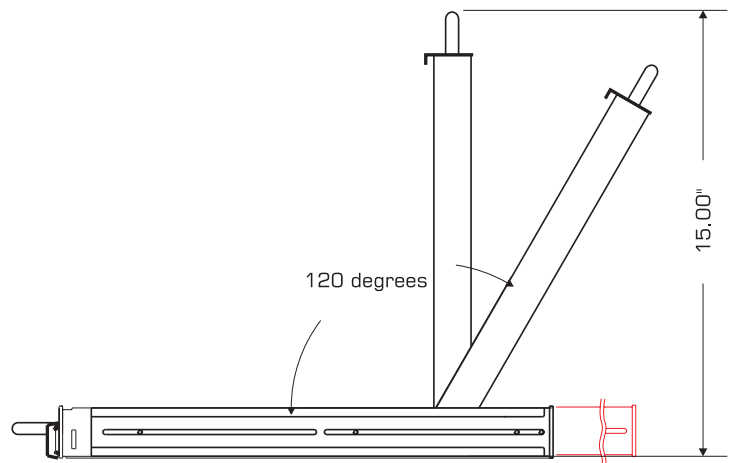
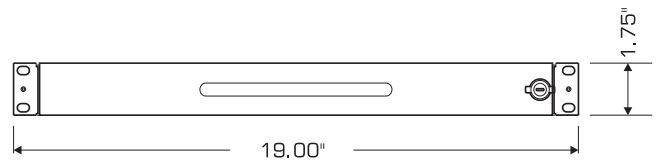
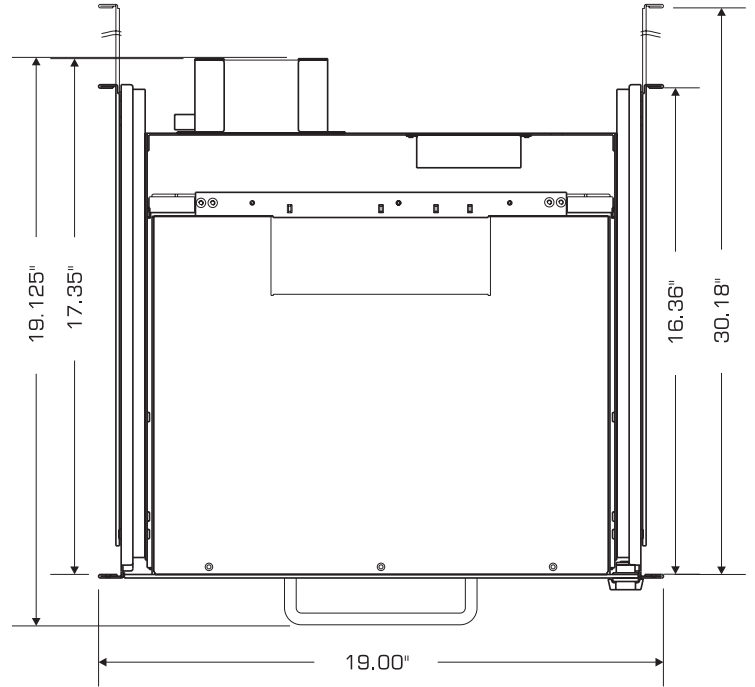
DKM-TX15 Rackmount LCD Monitor Keyboard Pull-out Drawer



1. Monitor on/off switch.
2. Speakers.
3. Touchpad.
4. On-screen menu system for display adjustments.



1. KVM combo cable with separate audio cable.
2. Keyboard-mouse sockets.
3. 15-pin VGA socket.
4. 3.5mm stereo jack.
5. AC input socket.
6. AC adapter.
7. DC input socket.



© 2004 Contemporary Microsystems. All rights reserved. Product information and specifications are subject to change without notice. More information can be found online at www.ipctechnology.com.