

DKM-SX17

Rackmount LCD Monitor Keyboard Pull-out Drawer



All-in-one LCD monitor, keyboard and touchpad pointing device.

Pull-out rack mount drawer design uses only 1U rack space.

17" SXGA resolution @ 1280 x 1024 pixels.

Built-in speakers and audio input jack. Modular detachable power supply.

Front bezel control buttons for display adjustment.

16.4" to 30" extension mounting brackets.

The DKM series of integrated LCD-Keyboard-Mouse is a rack-mountable shelf that occupies only 1 rack unit space. Using a flip-up flat panel monitor design, the DKM series offers a low profile rack shelf to store three frequently used peripheral devices of a typical data center or server management environment—monitor, keyboard and pointing device.

The pull-out shelf is mounted on slide rails so you can easily pull the unit out of your equipment rack. The LCD monitor flips up for use and folds down for storage.

The unit's power supply is an externally attached AC/DC adapter on the back of the unit. The adapter can be easily detached in the event that it needs to be replaced.

The DKM-SX17 has a 17" SXGA high resolution screen. The LCD's lower power consumption and EMI free technology makes it ideal for industrial applications. And with its native resolution of 1280 x 1024 pixels, you can work more and scroll less, because you can put more information on screen instead of cluttering it with menus and tool bars. An on-screen display (OSD) menu using four front-panel-mounted control buttons let's you adjust the display for optimum viewing.

The entire unit is constructed of metal for ruggedness. At just over 17" in depth, you can fit the unit in short-depth cabinets. With the ball-bearing slide rails that can be extended from 16.4" up to 30", it will also accommodate the deepest equipment racks.



DKM-SX17 Rackmount LCD Monitor Keyboard Pull-out Drawer

LCD Specifications

LCD TYPE	Active matrix TFT LCD. 17-inch screen (measured diagonally).
RESOLUTION	1280 x 1024 pixels (SXGA resolution).
COLORS	24-bit color depth (16 million colors).
COLOR GAMUT (%NTSC)	n/a
PIXEL PITCH (mm)	0.264 x 0.264
ACTIVE AREA (mm/in)	337.92 x 270.34 (13.30 x 10.64)
CONTRAST RATIO	350:1
BRIGHTNESS (cd/m ²)	300
RESPONSE TIME	30ms (sum of Trise and Tfall)
VIEW ANGLES (u/d/l/r)	65 / 60 / 75 / 75
INTERFACE	LVDS
BACKLIGHT TYPE	Edge lighting type , 2 dual CCFL (cold cathode fluorescent lamp) tubes.
INPUT SIGNAL	Analog RGB, VGA ~ SXGA
VERTICAL SYNC	60 ~ 75Hz
HORIZONTAL SYNC	64~79.97KHz
AC INPUT	85 to 264 VAC autosensing power supply.
OSD CONTROLS	Front panel OSD menu controls for contrast, brightness, position.

Electrical, Mechanical Specifications

CONSTRUCTION	1U rack unit. Mounting brackets extension from 16.36" to 30.18" via rear extension bracket.
INPUT DEVICE	Rackmount slide-out keyboard drawer.
KEYBOARD	Full size, 105-key, 12 function keys, 17-key numeric keypad.
KEYSWITCH	Short travel membrane keys.
POINTING DEVICE	Two-button touchpad input device.
EXTERNAL CONNECTORS	D-Sub 15-pin VGA socket, 3.5mm stereo jack, mini-DIN 6-pin keyboard and mouse sockets.
POWER CONSUMPTION	
DIMENSIONS	19" (W) x 1.75" (H) x 19.125" (D)
WEIGHT	23 lbs.
OPERATING TEMP	32 ~122 degrees F operating temperature.
STORAGE TEMP	-40 ~158 degrees F storage temperature.
RELATIVE HUMIDITY	10% ~ 90% non-condensing.

Environmental Specifications

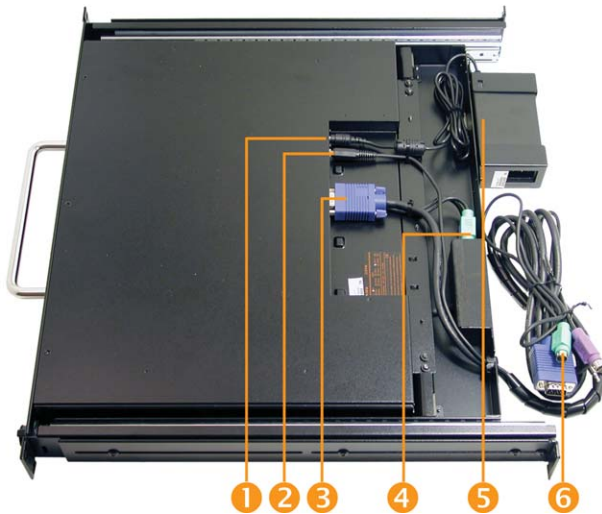
OPERATING TEMP	32 ~122 degrees F operating temperature.
STORAGE TEMP	-40 ~158 degrees F storage temperature.
RELATIVE HUMIDITY	10% ~ 90% non-condensing.

© 2004 Contemporary Microsystems. All rights reserved. Product information and specifications are subject to change without notice. More information can be found online at www.ipctechnology.com.

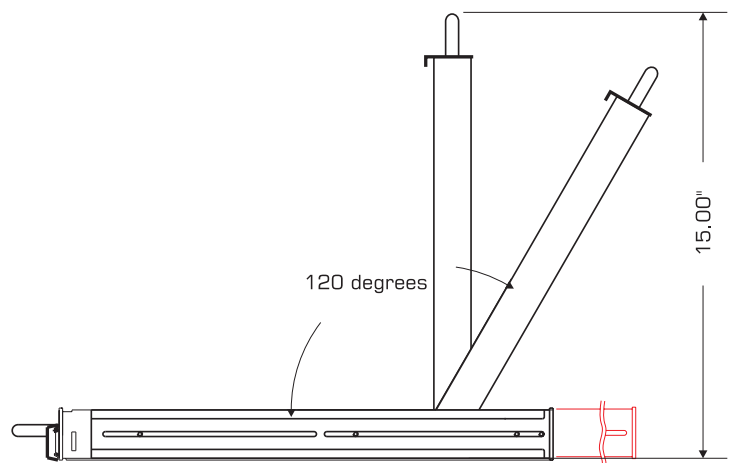
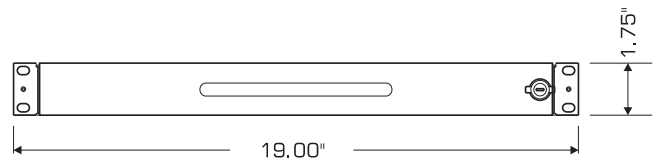
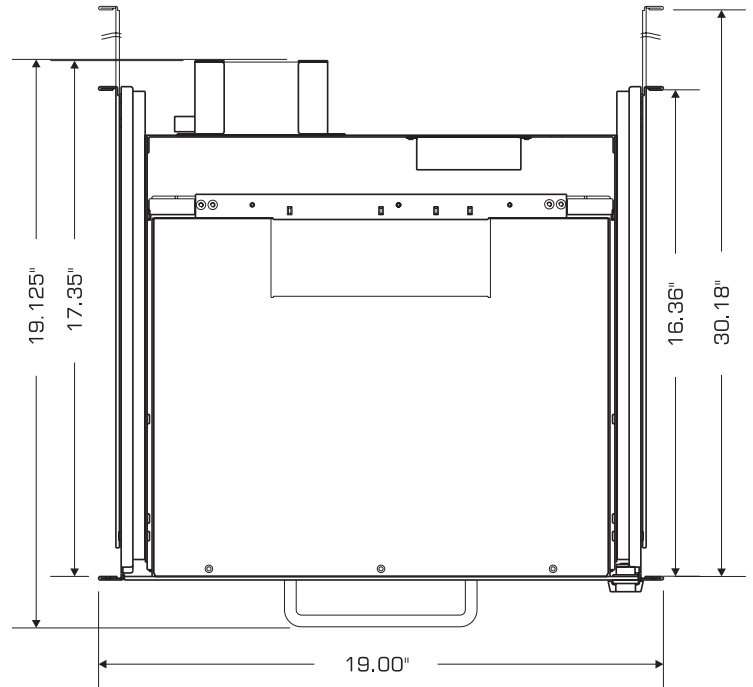
DKM-SX17 Rackmount LCD Monitor Keyboard Pull-out Drawer



1. Speakers.
2. Touchpad.
3. On-screen menu system for display adjustments.



1. DC input socket .
2. 3.5mm stereo jack.
3. 15-pin VGA socket.
4. Keyboard-mouse sockets.
5. AC adapter.
6. Video/Keyboard/Mouse combo cable with separate audio cable.



© 2004 Contemporary Microsystems. All rights reserved. Product information and specifications are subject to change without notice. More information can be found online at www.ipctechnology.com.